

# OmniView™ Process Analysis Software

Guided Wave's NIR-O™ process analyzers utilize OmniView™ software for Windows®, which is for process monitoring and control. Flexible and robust, OmniView is ideal for continuous process monitoring applications. Running a single Guided Wave analyzer, the software can be accessed remotely without interrupting the continuous operation of the analyzer. Configuration options make it easy to allow multiple remote users to view data simultaneously.

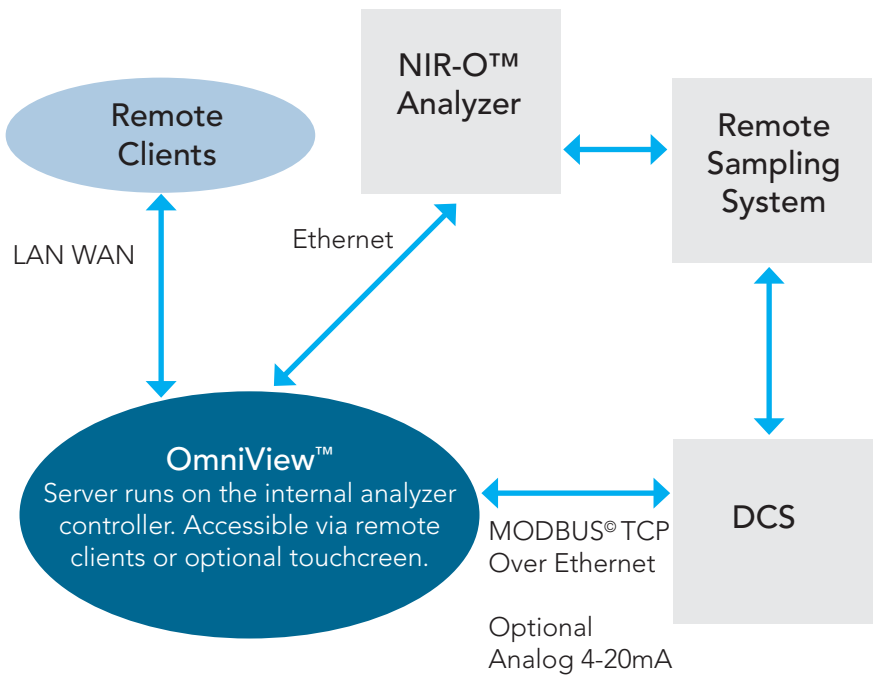
## Specific Purpose

OmniView provides an environment for continuous and batch process analysis. The software may be implemented in process applications of NIR-O analyzers.

## A Comprehensive Package

OmniView can be customized with "addon scripts" to meet the needs of any process installation. At a minimum, the software is provided as a stand-alone package to control all aspects of your Guided Wave NIR-O analyzer. The software allows for full control of the analyzer, diagnostic systems, data manipulation, maintenance/event log, trend graphs, models, security, input/output, etc. Communications via MODBUS® TCP are included as standard. 4-20 mA analog signals are also supported with optional hardware.

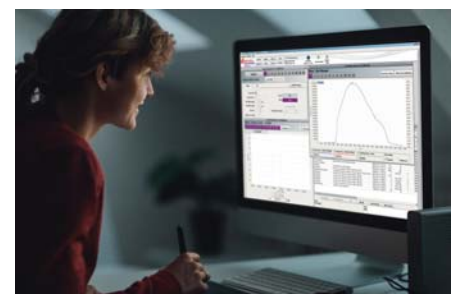
Models are developed in Camo's Unscrambler® or Pirouette®, chemometric modeling software. Pre-and post-processing of spectral data is done in Python™ scripting language. OmniView supports multiple probes each with multiple analyses. Models, probes, or the analyzer can be taken on and off line with the click of a button.



## Remote Access

OmniView allows remote access over LAN/WAN via a web based Java application. With proper security settings you can fully operate and configure OmniView software and your Guided Wave NIR-O analyzer from the plant or from any remote location. Simultaneous users can view the operations, function and "health" of your Guided Wave NIR-O analyzer. This is extremely useful as the process engineer, laboratory technician, maintenance technician, and process supervisor can all access the analyzer remotely to accomplish their tasks. Furthermore, at your option Guided Wave's Service Engineers and/or Applications Specialists can review and support your system, on demand, from our service centers.

## NIR-O Process Analyzer



# OmniView™ Process Analysis Software

## Features

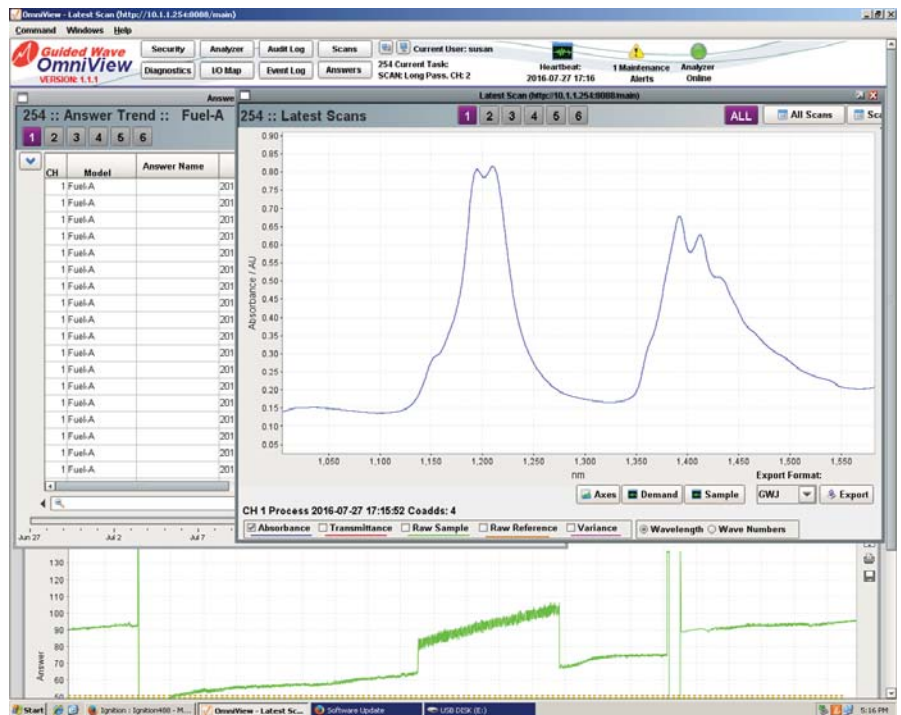
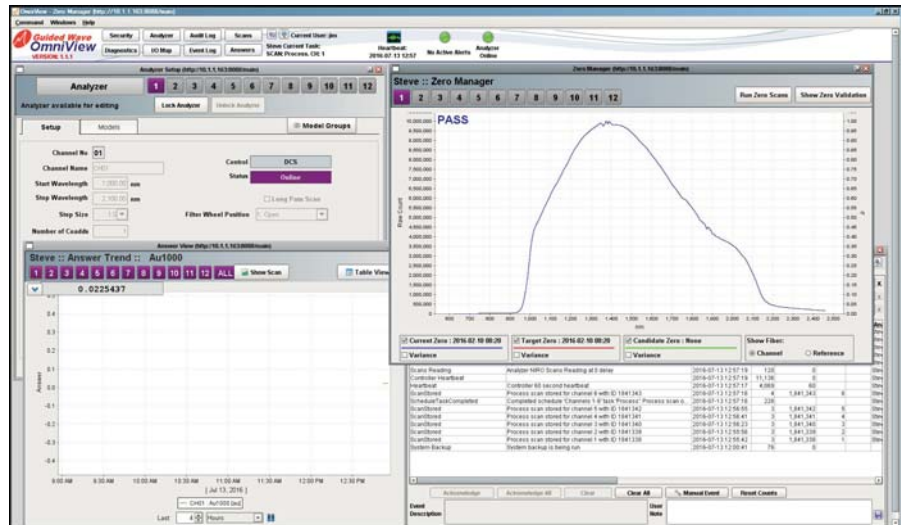
- User configurable windows to allow customized views
- Multi-tasking
- Pre-Configured for Easy Set-up
- Real-time Trend Charts
- Current Value Display
- Multiple Access Levels
- Built-in Diagnostics
- Network Accessibility, Local and Global
- Remote, Real-time Access
- Component & System Level Event Logging
- Manual Entry Event Logs
- Python™ Script Language
- MODBUS® TCP
- Unscrambler® or Pirouette® Model Predictions (optional)
- Other chemometric modeling support available
- 4-20mA is optional (requires additional hardware)

## Remote Clients: Minimum Computer Requirements

- Intel® Dual Core processor
- 4 GB RAM minimum, or as required for OS
- Recommended 19 inch (minimum) monitor with 1024x768 screen resolution
- USB port
- 100 MB Ethernet for network access
- Microsoft Windows® OS

## For More Information

Guided Wave analyzers are optically matched with probes, flow cells and fiber optic cabling specifically engineered to maximize total system performance. For complete NIR and UV/VIS analyzer systems visit [guided-wave.com](http://guided-wave.com)



Examples of OmniView™ Screens